

sinopé

SW2500RF / DM2500RF WEB PROGRAMMABLE LIGHT SWITCH AND DIMMER



CREATE PERFECT AMBIANCES TO
LIGHT UP YOUR LIFE

Set the right ambiance for any moment, easily connect your switches in a 3-way, protect your home and realize savings. With Sinopé's light switch and dimmer, you can do all of that and much more!

Thanks to neviweb®, a free, intuitive and easy to use platform, lighting can be controlled and dimmed from anywhere, at any time through your smartphone, tablet and computer.

Web programmable



SW2500RF

DM2500RF



Scenes mode

- Enables interaction between dimmers and light switches even if they are not on the same electrical circuit (creation of a 3-way);
- Turn on or off several lights from a single switch or through a neviweb® shortcut;
- Connect multiple compatible devices to coordinate their actions through neviweb®.

Timer mode

Apply a timer to your light switches and dimmers so that your lights and ceiling fans automatically turn off after a set period of time.

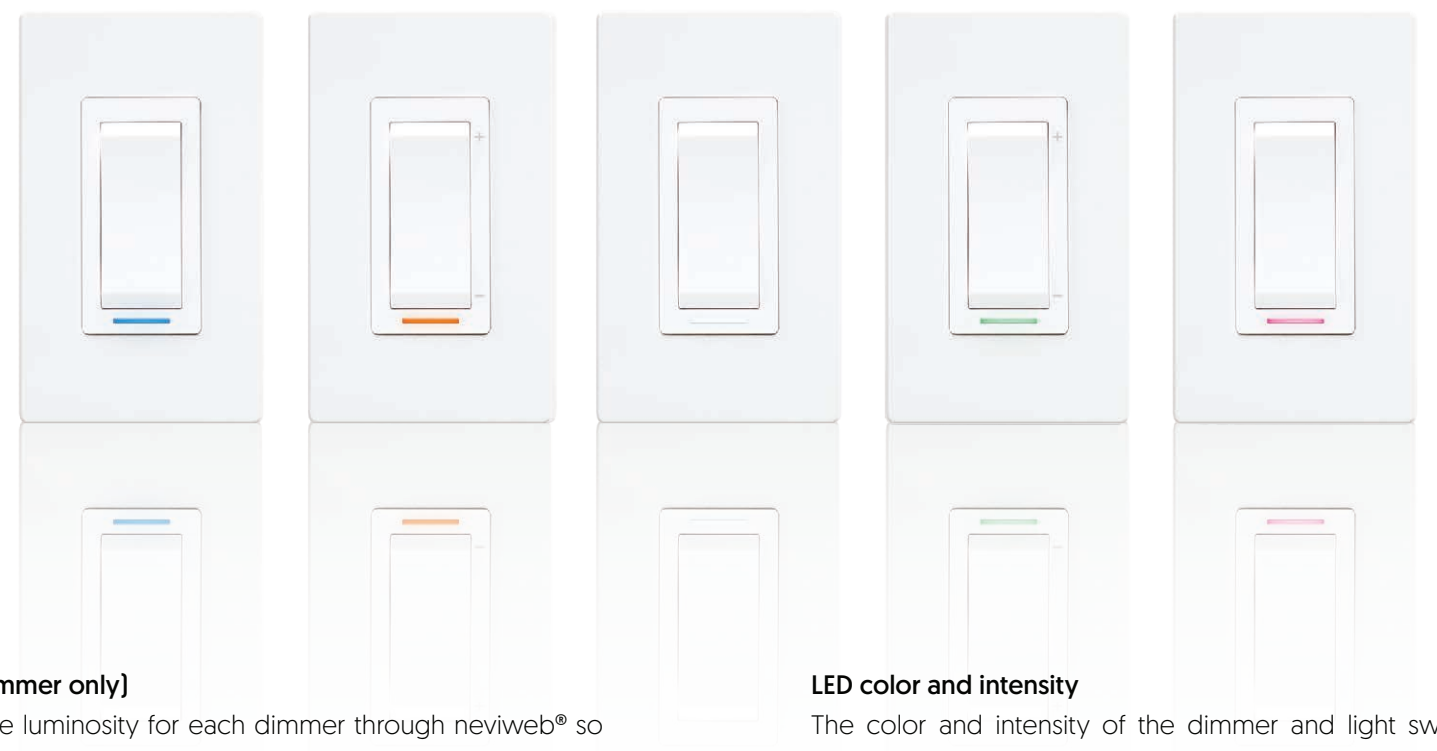
Detailed consumption reports

The neviweb® platform generates consumption graphics to analyze the use and view the energy consumption cost of each connected light switch and dimmer.

Remote programming

Activate, deactivate and program remotely your light switches and dimmers through neviweb® from any smart phone, tablet or computer. 7-day programming, up to 6 periods per day.

- The Web programmable light switch and dimmer allows the remote and manual control of lighting.
 - Extended range communication: no repeater required.
- Remote access requires a permanent Internet connection and a GT125 Web interface.



Minimal light intensity (dimmer only)

Possibility to determine the luminosity for each dimmer through neviweb® so that the dimmed light is brighter or darker depending on the needs of each space.

LED color and intensity

The color and intensity of the dimmer and light switch's LED can be set as desired. Colors available: blue, amber, pearl, lime, fuchsia.¹

Away mode

Simulate a presence at home by activating the away mode that randomly turns lights on and off in the evening.

3-year warranty

¹ The indicator light is always blue when lit and green in "away" mode.



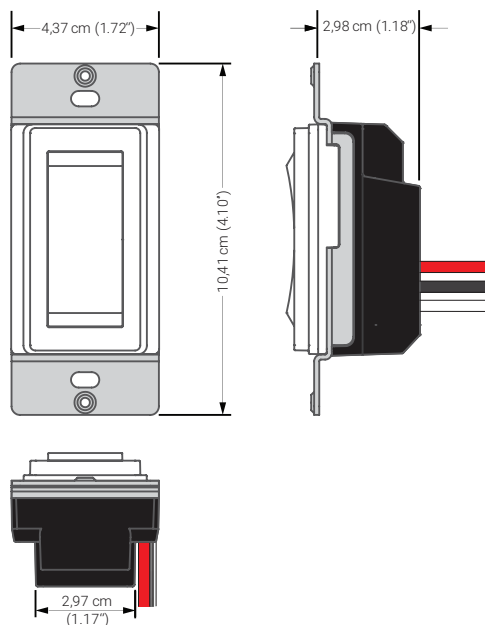
SW2500RF / DM2500RF

WEB PROGRAMMABLE LIGHT SWITCH AND DIMMER

SPECIFICATIONS

	Light switch	Dimmer
Operating voltage	120 Vac, 60 Hz	120 Vac, 60 Hz
Maximum load	450 W: LED, CFL, Halogen 960 W: Incandescent 1800 W: Resistive 1/2 HP: Ceiling fan	150 W: Dimmable LED and CFL 400 W: Incandescent, Halogen (multi-gang – 3 units) 500 W: Incandescent, Halogen (multi-gang – 2 units) 600 W: Incandescent, Halogen (single installation)
Operating temperature	0 °C to 40 °C [32 °F to 104 °F]	0 °C to 40 °C [32 °F to 104 °F]
Storage temperature	-20 °C to 50 °C [-4 °F to 122 °F]	-20 °C to 50 °C [-4 °F to 122 °F]

Conforms to ANSI/UL Std. 916, certified to CAN/CSA Std. C22.2 No205



Neviweb® is a registered trademark of Sinopé Technologies Inc. in Canada and the United States.

sinopé

T.: 450.741.7700 TF.: 1.855.741.7701

sinopetech.com

ventes.sales@sinopetech.com

Saint-Jean-sur-Richelieu, Qc, Canada