

sinopé



## Smart Floor Heating Thermostat TH1310WF



Heating cables



Heating cable mats



## ■ FEATURES

- Backlit display
- Detects the connected load
- Lockable buttons
- Allows floor or ambient temperature control
- Allows control of the ambient temperature taking into account the minimum and maximum temperature limits of the floor
- Allows control of the floor temperature taking into account the maximum ambient temperature limit
- Personalization of the minimum and maximum temperatures available for thermostat control
- Indoor (according to the control mode), outdoor, and setpoint temperatures featured on the thermostat display
- Temperature displayed in °F or °C

### This thermostat is equipped with:

- Floor sensor output
- Auxiliary heating system output
- Protection for engineered wood flooring
- Built-in ground fault circuit interrupter (Class A GFCI)

## ■ COMMUNICATION

Protocol: Wi-Fi

Standard: IEEE 802.11 b/g/n

Frequency: 2.4 GHz

## ■ ACCESSORIES



### Expansion Unit TR1310

For any installation exceeding 15 A, use the expansion unit in addition to the thermostat.



### Floor Sensor AC1310-01

Complete your installation like a pro by adding a 2<sup>nd</sup> sensor during installation.



- **Scenes:** activate personalized ambiances according to the time of the day, events or activity
- **Schedules:** set a different schedule for each day of the week, up to 8 periods per day
- **Energy reports:** see your consumption and savings in real-time
- **Geofencing:** trigger actions based on your presence
- **Voice assistants:** works with Amazon Alexa, Google Assistant and Apple Siri

\* Discover more features: [sinopetech.com](http://sinopetech.com)

## ■ TECHNICAL SPECIFICATIONS

**Operating voltage:** 120/208/240 Vac, 50/60 Hz

**Maximum load:**

1800 W @ 120 V / 15 A

3120 W @ 208 V / 15 A

3600 W @ 240 V / 15 A

**Setpoint range:** 41 °F to 97 °F [5 °C to 36 °C]

**Display range:** 32 °F to 99 °F [0 °C to 50 °C]

**Storage:** -4 °F to 122 °F [-20 °C to 50 °C]

**Resolution:** ± 1 °F [± 0.5 °C]

**Auxiliary output:**

24 Vac / Vdc / 0.1 A

**Compatibility:** 10K Ω / 12K Ω sensors at 77 °F [25 °C]

Floor sensor included

3-year warranty

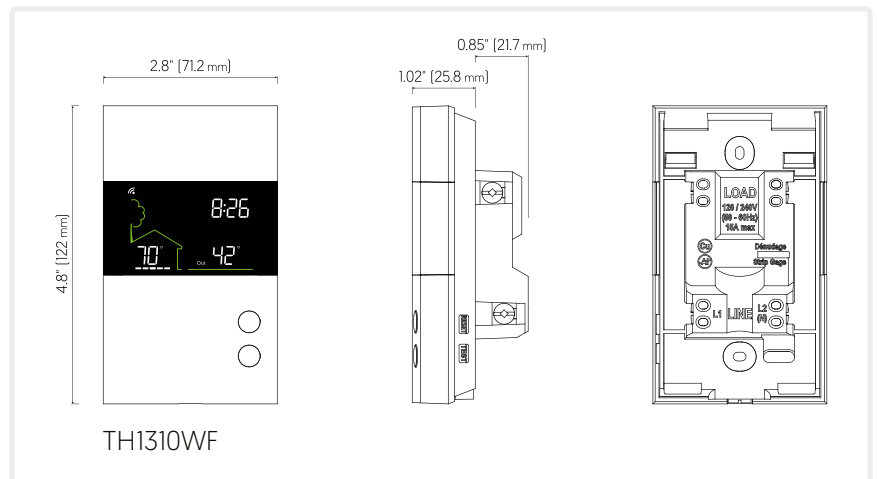
## ■ CERTIFICATION



## ■ STANDARDS

TB713-C Base: Conforms to ANSI/UL Std. 943

Certified under CAN/CSA Std. C22.2 No. 144.1



T: 450.741.7700  
TF: 1.855.741.7701

[sinopetech.com](http://sinopetech.com) - [sales@sinopetech.com](mailto:sales@sinopetech.com)  
Saint-Jean-sur-Richelieu, Qc, Canada

Neviweb is a trademark of Sinopé Technologies Inc., registered in Canada and the U.S.  
Amazon, Alexa and all related logos are trademarks of Amazon.com, Inc. or its affiliates.  
Google is a trademark of Google LLC.

Apple, Apple Watch, HomeKit, iPad, iPad Air, and iPhone are trademarks of Apple Inc., registered in the U.S. and other countries. HomePod is a trademark of Apple Inc.  
The Wi-Fi CERTIFIED™ Logo is a certification mark of Wi-Fi Alliance®