

sinopé



Smart Adaptive Phase Dimmer DM2550ZB



Dimmable light-emitting diode (LED)



Incandescent lighting



Halogen lighting



Electronic low voltage (ELV)



■ FEATURES

- Equipped with a timer to automatically turn off the lighting after a given time*
- Lockable manual control*
- Personalization of the minimum intensity level to get the right lighting quickly*
- Personalization of the color and intensity of the LED on the product
- Available colors: blue, amber, fuchsia, lime, pearl*
- Integrates directly with the Echo Show and Amazon Echo Plus
- Configured in reverse phase by default to ensure more compatibility with most LED, incandescent and halogen bulbs

*These features are available in Neviweb and require the GTI30 hub. Features may vary from a platform to another.

■ COMMUNICATION

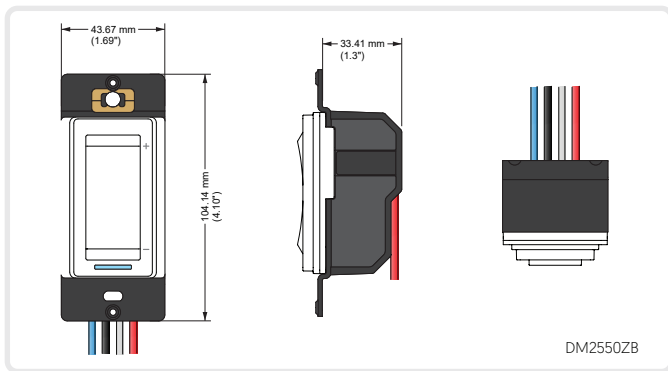
Protocol: Zigbee 3.0
 Frequency: 2.4 GHz
 Transmission power: +20 dBm
 Receiver sensitivity: -108 dBm
 Encryption key: AES-128

■ CERTIFICATION



■ STANDARDS

Conforms to ANSI/UL Std. 1472
 Certified under CAN/CSA Std. C22.2 No184.1



DM2550ZB

T: 450.741.7700
 TF: 1.855.741.7701

sinopetech.com - sales@sinopetech.com
 Saint-Jean-sur-Richelieu, Qc, Canada



- **Automations:** create automations that run based on time, sunrise/sunset, device action, or your presence
- **Scenes:** activate personalized ambiances according to the time of the day, events or activity
- **Energy reports:** see your consumption and savings in real-time
- **Geofencing:** trigger actions based on your presence
- **Voice assistants:** works with Amazon Alexa and Google Assistant
- **Light intensity:** adjust the minimum dimming light intensity to prevent the LED bulbs from flickering

*Discover more features: sinopetech.com

■ TECHNICAL SPECIFICATIONS

Operating voltage: 120 Vac, 60 Hz
 Operating temperature: 0 °C to 40 °C [32 °F to 104 °F]
 Storage temperature: -20 °C to 50 °C [-4 °F to 122 °F]

Neutral wire required
 MOSFET commutation
 Simple installation (3 or 4 wires)
 Single pole application, 3-way compatible with switches only
 Wall plate not included
 3-year warranty

■ MAXIMUM LOAD

	Incandescent lamp	Halogen lamp	Dimmable LED	ELV
Single installation	600 W	600 W	150 W	150 W
Multi-gang (2 units)	500 W	500 W	150 W	150 W
Multi-gang (3 units)	400 W	400 W	150 W	150 W

■ FORWARD AND REVERSE PHASE DIMMING

Load	Control requirements
Incandescent / halogen lighting	Can be controlled by either forward or reverse phase dimmers.
Dimmable light-emitting diode (LED)	Can be controlled by either forward or reverse phase dimmers. Generally, will perform better in reverse phase due to the characteristics of the LED drivers.
Electronic low voltage (ELV)	Can only be controlled by reverse phase dimmers due to potential component damage from "kickback" voltage when current is interrupted in reverse phase.