

sinopé



Calypso

Smart Water Heater Controller

RM3500WF



■ FEATURES

- Detection of the connected load
- Temperature probe [AC3500-01]* for maximum comfort and protection
- Possibility of connecting a water detection cable [AC4200C-02]** to detect potential leaks and thus send an alert to inform you of the situation
- Compact design for easy installation
- Allows remote control of any water heater controller up to 20.8A or 240V

*AC3500-01 temperature probe included

**AC4200C-02 water detection cable not included

■ COMMUNICATION

Protocol: Wi-Fi

Standard: IEEE 802.11 b/g/n

Frequency: 2.4 GHz

■ CERTIFICATION

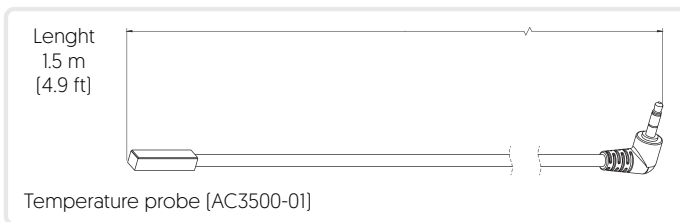
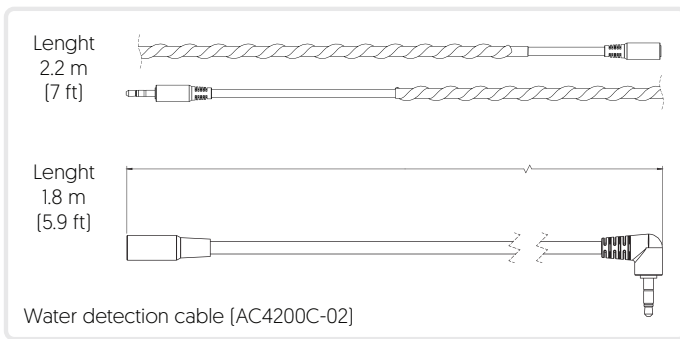


■ STANDARDS

Conforms to ANSI/UL Std.916

Certified under CAN/CSA Std. C22.2 No205

■ ACCESSORIES



- **Schedules:** set a different schedule for each day of the week, up to 8 periods per day
- **Scenes:** activate personalized ambiances according to the time of the day, events or activity
- **Energy reports:** see your consumption and savings in real-time
- **Geofencing:** trigger actions based on your presence
- **Voice assistants:** works with Amazon Alexa and Google Assistant
- **Éco Sinopé:** integrates with the Éco Sinopé feature allowing you to reduce your energy consumption during peak events and save on your electricity bill

■ TECHNICAL SPECIFICATIONS

Operating voltage: 120-240V (60 Hz)

Maximum resistive load: 20.8 A

Operating temperature: 0 °C to 40 °C [32 °F to 104 °F]

Storage: -20 °C to 50 °C [-4 °F to 122 °F]

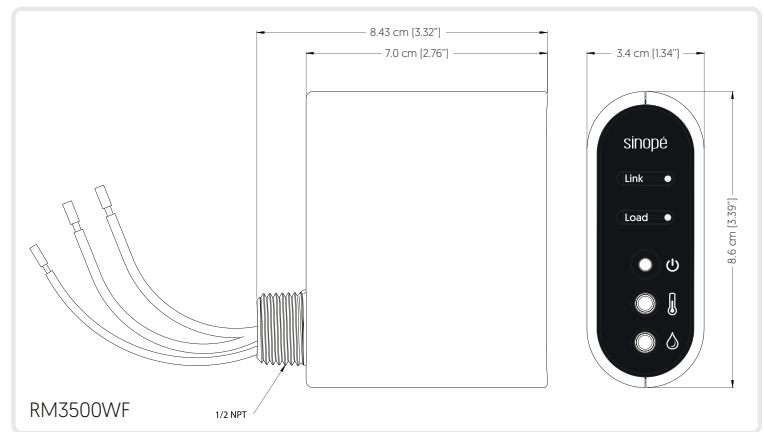
3-year warranty

Single pole relay

* Indoor installation only.

Also available:

Zigbee version [RM3500ZB]



T: 450.741.7700
TF: 1.855.741.7701

sinopetech.com - sales@sinopetech.com
Saint-Jean-sur-Richelieu, Qc, Canada

Neviweb is a trademark of Sinopé Technologies Inc. registered in Canada and the U.S.
Amazon, Alexa and all related logos are trademarks of Amazon.com, Inc. or its affiliates.
Google is a trademark of Google LLC.

Apple, Apple Watch, HomeKit, iPad, iPad Air, and iPhone are trademarks of Apple Inc., registered in the U.S. and other countries. HomePod is a trademark of Apple Inc.