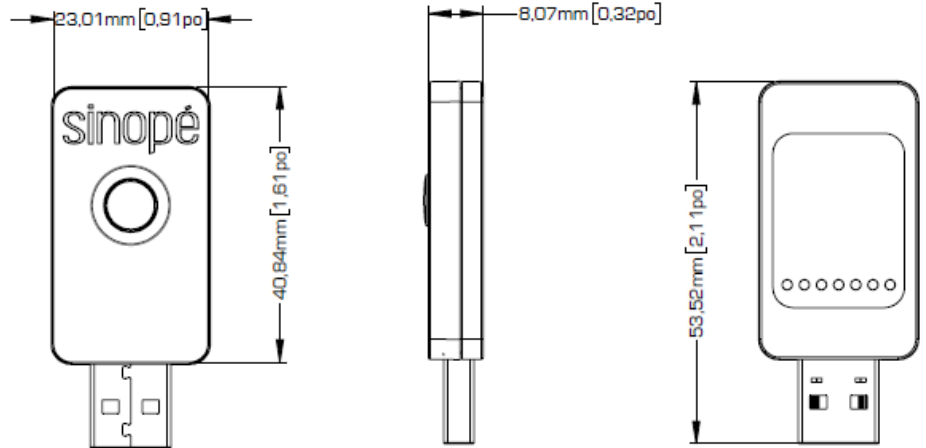


**Ductless interface for compatible heat pump manufactured by Midea
(Version for multi-residential rental / Commercial projects)**

Zigbee 3.0

HP6000ZB-MA



Complies with FCC15 & NMB-003

Specifications

Type	<ul style="list-style-type: none"> • Interface for Midea-manufactured and compatible heat pump/air conditioner mini splits
Communication	<ul style="list-style-type: none"> • Protocol: Zigbee 3.0 • Frequency: 2.4 GHz • Transmission power: +20 dBm • Receiver sensitivity: -108 dBm • Encryption key: AES-128
Transmitter module	<ul style="list-style-type: none"> • IC: 5123A-GM210P • FCC ID: QOQGM210P
Power supply	<ul style="list-style-type: none"> • Via heat pump / air conditioner indoor unit's communication port
Temperature range	<ul style="list-style-type: none"> • Operating: 0 °C to 40 °C (32 °F to 104 °F) • Storage: -20 °C to 50 °C (-4 °F to 122 °F)
Installation	<ul style="list-style-type: none"> • Connect the interface directly to the indoor unit's USB communication port (see "Installation diagrams" below).

Compatible devices

- Heat pumps and air conditioners mini splits with compatible communication port (see Appendix 1)
 - Standard USB type A port
- TH1134ZB-HC*

Control**

- Modes: Cooling, heating, dry, fan and off
- Adjusting the orientation of heat pump shutters
- Adjusting the ventilation intensity
- Activate or deactivate the display on the indoor unit of the heat pump
- Setpoint adjustment

Features***

- Remote control of the heat pump can be bypassed to control it only with Sinopé Smart Systems and/or the Sinopé TH1134ZB/HC thermostat
- Interlocking by association with TH1134ZB/HC thermostat of air-conditioning and electric heating in the same room
- Interlocking by automation of air-conditioning and heating in all rooms with Zigbee Sinopé thermostats in individual rooms
- Create automations that run according to the weather, sunrise/sunset, the action of a device or your presence
- Activate personalized ambiances according to time of day, occasion or activity with scenes
- Voice assistants: compatible with Amazon Alexa and Google Assistant
- Advanced features in Sinopé Smart Systems (e.g., prioritizing heat pump heating when it's more efficient than baseboard heaters)
 - Requires the TH1134ZB/HC heating and cooling line voltage thermostat
- Share limited access to specific devices (by location) with certain users, such as tenants or co-owners

Resident features***

- Possibility of bypassing the remote control of the heat pump to control it remotely only with Neviweb
- Activation of personalized scenes and consultation of programmed automations
- Voice assistants: compatible with Amazon Alexa and Google Assistant

Warranty

- 3 years

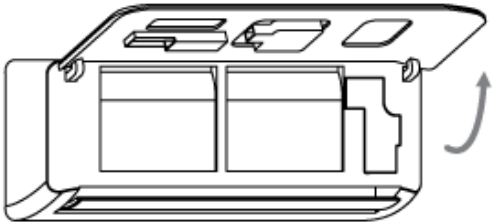
*Possibility of combining the HP6000ZB-MA with the TH1134ZB/HC thermostat for better use of the electric baseboard heater and heat pump in the same room (air-conditioning/heating interlock).

**Feature available on models enabling this function.

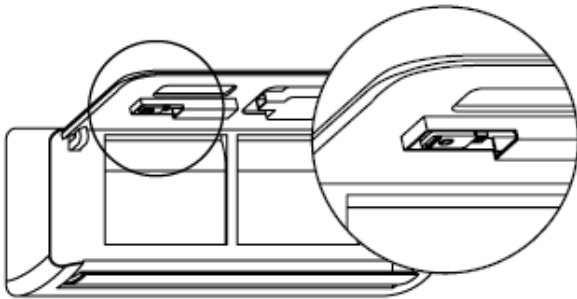
***These features require the use of the GT130 gateway (not included).

Installation diagrams

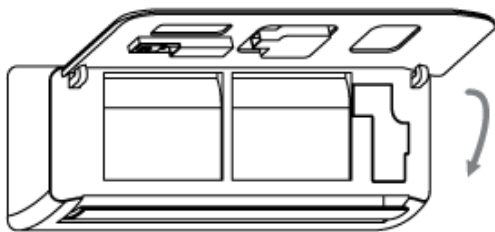
1. Open the front panel of the indoor unit.



2. Insert the interface into the dedicated port in the cover of the indoor unit.



3. Close the cover of the indoor unit.



Model

No.product	Description	Volts	Watts	Qty
HP6000ZB-MA	Ductless interface for compatible heat pump manufactured by Midea	-	-	
TH1134ZB/HC	Smart line voltage thermostat for heating and cooling - Zigbee	120/240	2000/4000	
GT130	Smart gateway for remote access to Zigbee devices	-	-	

Specifications are subject to change without notice

The signature certifies that the installation complies with the above installation diagrams.			
	Designation	Profession	Signature
Project's name:			
Address:			
Brand and models of wall-mounted units installed:			
Promotor:			
Builder:			
Consulting engineer:			
Contractor #1:			
Contractor #2:			
Contractor #3:			
Date:			

Appendix 1

Certified heat pump models

Brand	Series	Type	Model	Compatible Sinopé heat pump interface
Convectair	Capella 16	Int	8016-C09	HP6000ZB-MA
Convectair	Capella 16	Int	8016-C12	HP6000ZB-MA
Convectair	Capella 16	Int	8016-C18	HP6000ZB-MA
Convectair	Capella 16	Int	8016-C24	HP6000ZB-MA
Convectair	Capella 28	Int	8028-C09	HP6000ZB-MA
Convectair	Capella 28	Int	8028-C12	HP6000ZB-MA
Convectair	Capella 28	Int	8028-C18	HP6000ZB-MA
Convectair	Capella 28	Int	8028-C24	HP6000ZB-MA