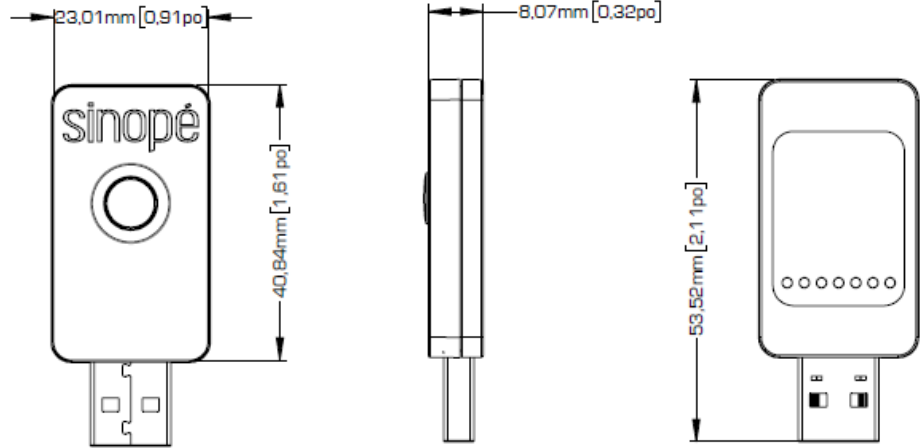


**Ductless interface for compatible heat pump manufactured by Midea  
(Version for Residential / Condo projects)**

**Zigbee 3.0**

**HP6000ZB-MA**



Complies with FCC15 & NMB-003

**Specifications**

<b>Type</b>	<ul style="list-style-type: none"> <li>• Interface for Midea-manufactured and compatible heat pump/air conditioner mini splits</li> </ul>
<b>Communication</b>	<ul style="list-style-type: none"> <li>• Protocol: Zigbee 3.0</li> <li>• Frequency: 2.4 GHz</li> <li>• Transmission power: +20 dBm</li> <li>• Receiver sensitivity: -108 dBm</li> <li>• Encryption key: AES-128</li> </ul>
<b>Transmitter module</b>	<ul style="list-style-type: none"> <li>• IC: 5123A-GM210P</li> <li>• FCC ID: QOQGM210P</li> </ul>
<b>Power supply</b>	<ul style="list-style-type: none"> <li>• Via heat pump / air conditioner indoor unit's communication port</li> </ul>
<b>Temperature range</b>	<ul style="list-style-type: none"> <li>• Operating: 0 °C to 40 °C (32 °F to 104 °F)</li> <li>• Storage: -20 °C to 50 °C (-4 °F to 122 °F)</li> </ul>
<b>Installation</b>	<ul style="list-style-type: none"> <li>• Connect the interface directly to the indoor unit's USB communication port (see "Installation diagrams" below).</li> </ul>

**Compatible devices**

- Heat pumps and air conditioners mini splits with compatible communication port (see Appendix 1)
  - USB type A port

**Control\***

- Modes: Cooling, heating, dry, fan and off
- Adjusting the orientation of heat pump shutters
- Adjusting the ventilation intensity
- Activate or deactivate the display on the indoor unit of the heat pump

**Features\*\***

- Allows heat pump control via Neviweb
- Remote control of the heat pump can be bypassed to control it only with Neviweb
- Allows interlocking of air-conditioning and heating with Sinopé thermostats
- Create automations that run according to the weather, sunrise/sunset, the action of a device or your presence
- Activate personalized ambiances according to time of day, occasion or activity with scenes
- Setpoint control
- Voice assistants: compatible with Amazon Alexa and Google Assistant

**Warranty**

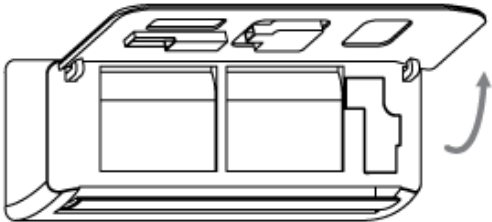
- 3 years

\*Feature available on models enabling this function.

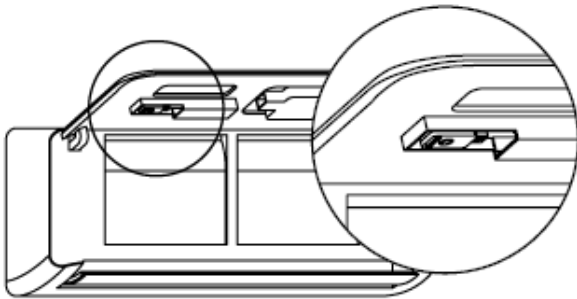
\*\*These features are available in Neviweb. They require the use of the GT130 gateway (not included).

## Installation diagrams

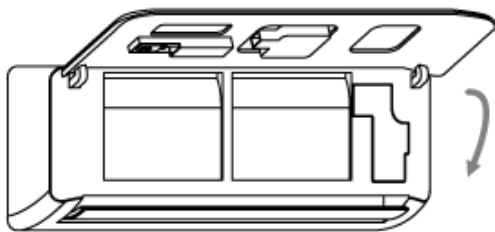
1. Open the front panel of the indoor unit.



2. Insert the interface into the dedicated port in the cover of the indoor unit.



3. Close the cover of the indoor unit.



**Model**

No.product	Description	Volts	Watts	Qty
HP6000ZB-MA	Ductless interface for compatible heat pump manufactured by Midea	-	-	
GT130	Smart gateway for remote access to Zigbee devices	-	-	

**Specifications are subject to change without notice**

The signature certifies that the installation complies with the above installation diagrams.			
	Designation	Profession	Signature
Project's name:			
Address:			
Brand and models of wall-mounted units installed:			
Promotor:			
Builder:			
Consulting engineer:			
Contractor #1:			
Contractor #2:			
Contractor #3:			
Date:			

## Appendix 1

Certified heat pump models

Brand	Series	Type	Model	Compatible Sinopé heat pump interface
Convectair	Capella 16	Int	8016-C09	HP6000ZB-MA
Convectair	Capella 16	Int	8016-C12	HP6000ZB-MA
Convectair	Capella 16	Int	8016-C18	HP6000ZB-MA
Convectair	Capella 16	Int	8016-C24	HP6000ZB-MA
Convectair	Capella 28	Int	8028-C09	HP6000ZB-MA
Convectair	Capella 28	Int	8028-C12	HP6000ZB-MA
Convectair	Capella 28	Int	8028-C18	HP6000ZB-MA
Convectair	Capella 28	Int	8028-C24	HP6000ZB-MA