

# sinopé

## FS4220 FS4221

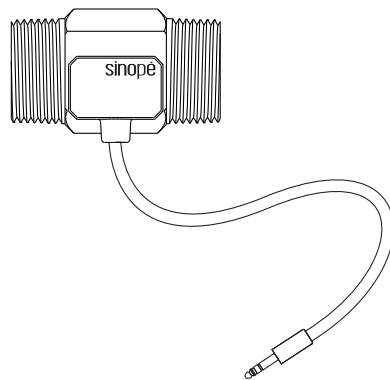
### Installation Guide

Flow Sensor

**IMPORTANT:** Installation of the flow sensor should be performed by a certified professional in accordance with local and national building codes.

### YOUR FS4220/FS4221 FLOW SENSOR

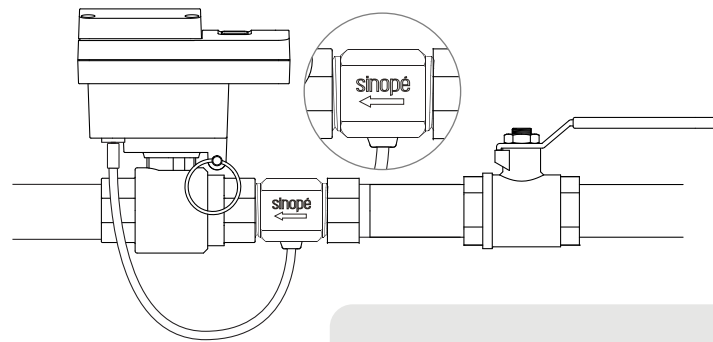
The flow sensor is an indispensable ally for your Sinopé smart water valve since it detects invisible\* leaks that can occur when pipes break in walls and ceilings.



\* The flow sensor detects abnormal flow rates of 2L/min [FS4220 ¾ inch version] and 4L/min [FS4421 1 inch version].

### POSITIONING YOUR FLOW SENSOR

The flow sensor must be placed before the Sedna valve on the main water pipe to perform an optimal work. In addition, it is important to take into account the arrow on the sensor, which indicates the direction of the water flow and thus, the preferred direction to properly position the device during installation.



If possible, to improve reading accuracy, install the flow sensor at least 6" [15 cm] from an upstream elbow.