

sinopé



Sedna Mesh Smart Water Valve (Main)

Compatible accessories



Smart water leak detectors



Secondary water valve



Smart dimmer and light switch



Smart plugs



Flow sensor



Multicontroller



Smart electrical load controller



■ FEATURES

- Automatic valve closure as soon as a water leak is detected by a detector*
- Option to back up the device with lithium batteries (not included) for ongoing operation (up to 48 hours)
- Self-testing system ensuring proper operation at all times throughout the device's lifespan
- Up to 20 water leak detectors or accessories can be controlled with Sinopé's smart water valve
- Possibility to open and close the valve manually
- Removable actuator for easy part replacement without modifying existing plumbing
- Communicates with the GT4220WF-M gateway and other Sedna Mesh valves for enhanced protection and seamless signal coverage throughout the building

* Requires a water leak detector or a Sinopé flow sensor. Depending on the plumbing of the water inlet, additional parts may be required (not included).

■ COMMUNICATION

Communication with the Sedna Mesh gateway (GT4220WF-M)*

Protocol: Wi-Fi
Standard: IEEE 802.11 b/g/n
Frequency: 2.4 GHz

Communication between Sedna Mesh main valves and the GT4220WF-M gateway is secured by WPA2, and communication between the GT4220WF-M and the server is secured by TLS 1.2.

Communication with detectors and accessories

Protocol: Zigbee 3.0
Frequency: 2.4 GHz
Transmission power: +20 dBm
Receiver sensitivity: -108 dBm

* The gateway deploys a Wi-Fi network dedicated to Sedna Mesh water damage protection valves. This network is mesh-based, which means that the valves will relay it to each other.

■ COMPOSITION

The Sedna Mesh main smart water valve consists of a main valve actuator (ACT4220WF-M-UPS) and a compatible ball valve (see models below).

■ COMPATIBILITIES

Select from these 3 ball valve options:

- NPT Ball Valve - 3/4" [BV4220]
- NPT Ball Valve - 1" [BV4221]
- PEX Ready Ball Valve - 3/4" [BV4220-P01]

■ STANDARDS

Standard Valve [NPT]

Complies with CSA B125.3-12 Plumbing fittings
Valve body tested EU RoHS 2 [Directive 2011/65 / EU]
Complies with NSF/ANSI 61 Standard

PEX Ready Valve

Complies with NSF/ANSI 61 Standard
Complies with CSA B125.14
NSF372 compliant

■ TRANSMITTER MODULE

IC: 22394-ZBM1501



Sinopé Smart Systems management platform

- Sends text messages and emails when a water leak is detected, if the batteries are low or if there is a risk of freezing
- Constant monitoring of the Sedna systems installed in the building
- Monitoring the battery status of the water leak detectors
- Centralized security and access management
- Centralized management of condo units
- Programmable automations
- Exporting and printing activity logs



Sinopé Neviweb app for users

- Remote access and control of the main water inlet through your smartphone or tablet*
- Receive alerts by email or push notification when a leak is detected, a risk of frost or when batteries are low**
- View battery status directly in the app

* Remote access requires a permanent Internet connection and the Sinopé Neviweb app.

**Requires a Sinopé smart valve, a permanent Internet connection and the Sinopé Neviweb app available on the App Store and Google Play.

■ TECHNICAL SPECIFICATIONS

| | NPT Standard Valve | PEX Type B Valve |
|-------------------------------|----------------------------|---|
| Valve body | Stainless steel, lead-free | C46500 brass, lead-free, nickel plating |
| Actuator's base | Fiberglass reinforced | Fiberglass reinforced |
| Ball valve | Full port valve | Full port valve |
| Maximum pressure | 145 PSI | 150 PSI |
| Maximum torque | 2.5 N.m. | 1.0 N.m. |
| System self-testing frequency | Monthly | Monthly |

Power supply: 5V / 5W (included)

Backup power supply: Uninterruptible power supply 5V - 12V included [ACUPS-01]* and/or 4 AAA lithium batteries not included

Operating temperature NPT valve: 0 °C to 40 °C [32 °F to 104 °F]

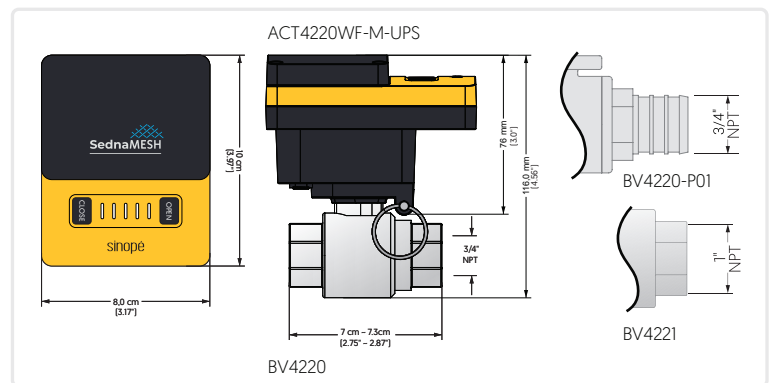
Operating temperature PEX valve: 1 °C to 40 °C [34 °F to 104 °F]

Maximum water temperature: 85 °C [185 °F]

Storage: -20 °C to 50 °C [-4 °F to 122 °F]

3-year warranty

Indoor installation only *Contact your Sinopé representative for more information on the uninterruptible power supply [ACUPS-01].



T: 450.741.7700
TF: 1.855.741.7701

sinopetech.com - sales@sinopetech.com
Saint-Jean-sur-Richelieu, Qc, Canada