

sinopé



Smart Water Valve [2nd generation] VA4220WF

Compatible accessories



Smart water leak detectors



Secondary water valve



Smart dimmer and light switch



Smart plugs



Flow sensor



Multicontroller



■ FEATURES

- Automatic valve closure as soon as a water leak is detected by one of the detectors*
- Possibility to back-up the device with lithium batteries (not included) for ongoing operation (up to 48 hours)
- Self-testing system ensuring proper operation at all times throughout the life of the device
- 20 water leak detectors or accessories can be controlled with Sinopé's smart water valve
- Possibility to open and close the valve manually
- 100% stand-alone Wi-Fi valve requiring no gateway or control panel
- Removable controller allowing the replacement of parts without any further modification to the plumbing

* Requires a water leak detector or a Sinopé flow sensor. Depending on the plumbing of the water inlet, additional parts may be required (not included).

■ COMMUNICATION

Communication with router

Protocol: Wi-Fi

Standard: IEEE 802.11 b/g/n

Frequency: 2.4 GHz

Communication with detectors and accessories

Protocol: Zigbee 3.0

Frequency: 2.4 GHz

Transmission power: +20 dBm

Receiver sensitivity: -108 dBm

■ ALSO AVAILABLE

PEX Ready smart valve

■ STANDARDS

Complies with CSA B125.3-12 Plumbing fittings

Valve body tested EU RoHS 2 (Directive 2011/65 / EU)



- Remote access and control of the main water inlet through your smartphone or tablet*
- Choose in which situation(s) you would like to receive alerts by email or text message (detection of a leak, risk of frost, etc.)**
- See the batteries' status directly in the app
- Automatic valve closure when you are away thanks to the geofencing feature
- Choose to close the valve when the temperature detected by the sensor drops below 5°C (41°F risk of frost)
- Possibility to close the smart water valve in case of power failure, especially if the batteries are low

* Remote access requires a permanent Internet connection and the Neviweb app.

**Requires a Sinopé smart valve, a permanent Internet connection and the Neviweb app available on the App Store and Google Play.

■ TECHNICAL SPECIFICATIONS

Valve body: Stainless steel, lead-free

Controller's base: Fiberglass reinforced

Ball valve: Full port valve

Maximum pressure: 145 PSI

Maximum torque: 2.5 N.m

Power supply: 5V / 5W (included)

Backup power supply: 4 AAA lithium batteries (not included)

Operating temperature: 0 °C to 40 °C [32 °F to 104 °F]

Maximum water temperature: 85 °C [185 °F]

Storage: -20 °C to 50 °C [-4 °F to 122 °F]

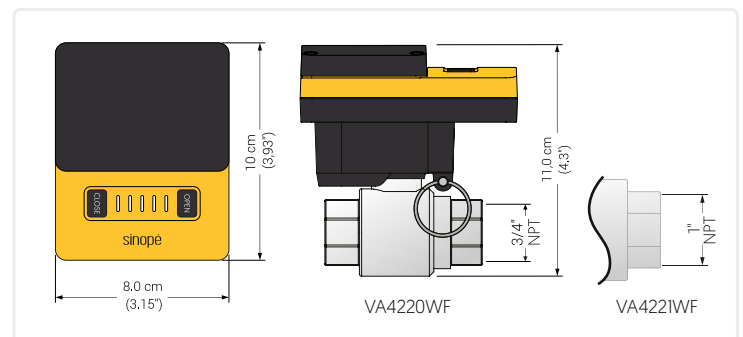
3-year warranty

*Indoor installation only

■ DIAMETER

VA4220WF - 3/4 in NPT x 3/4 in NPT

VA4221WF - 1 in NPT x 1 in NPT



T: 450.741.7700
TF: 1.855.741.7701

sinopetech.com - sales@sinopetech.com
Saint-Jean-sur-Richelieu, Qc, Canada